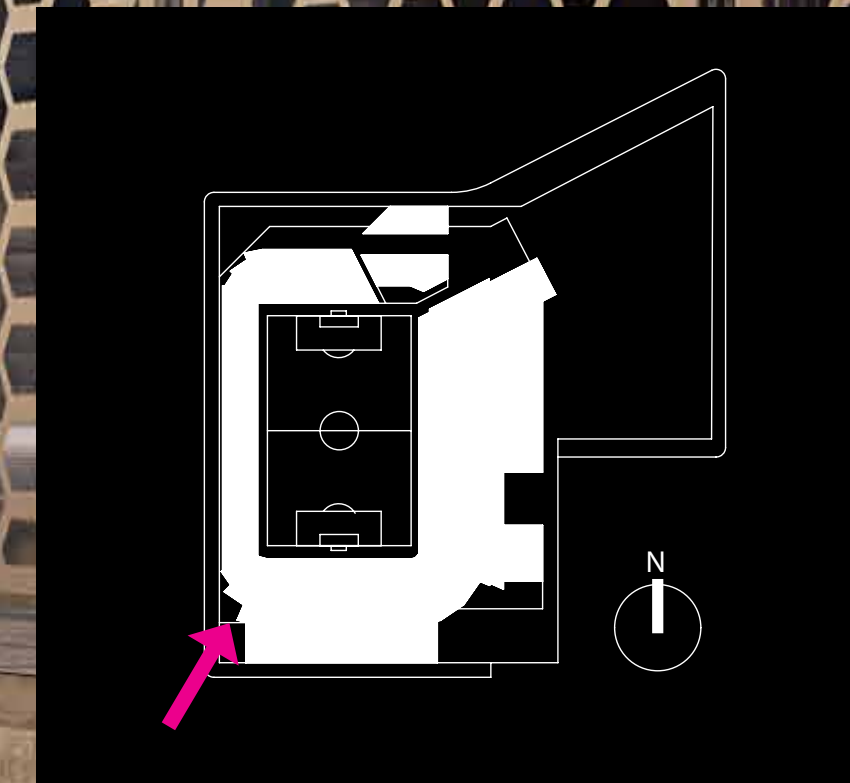
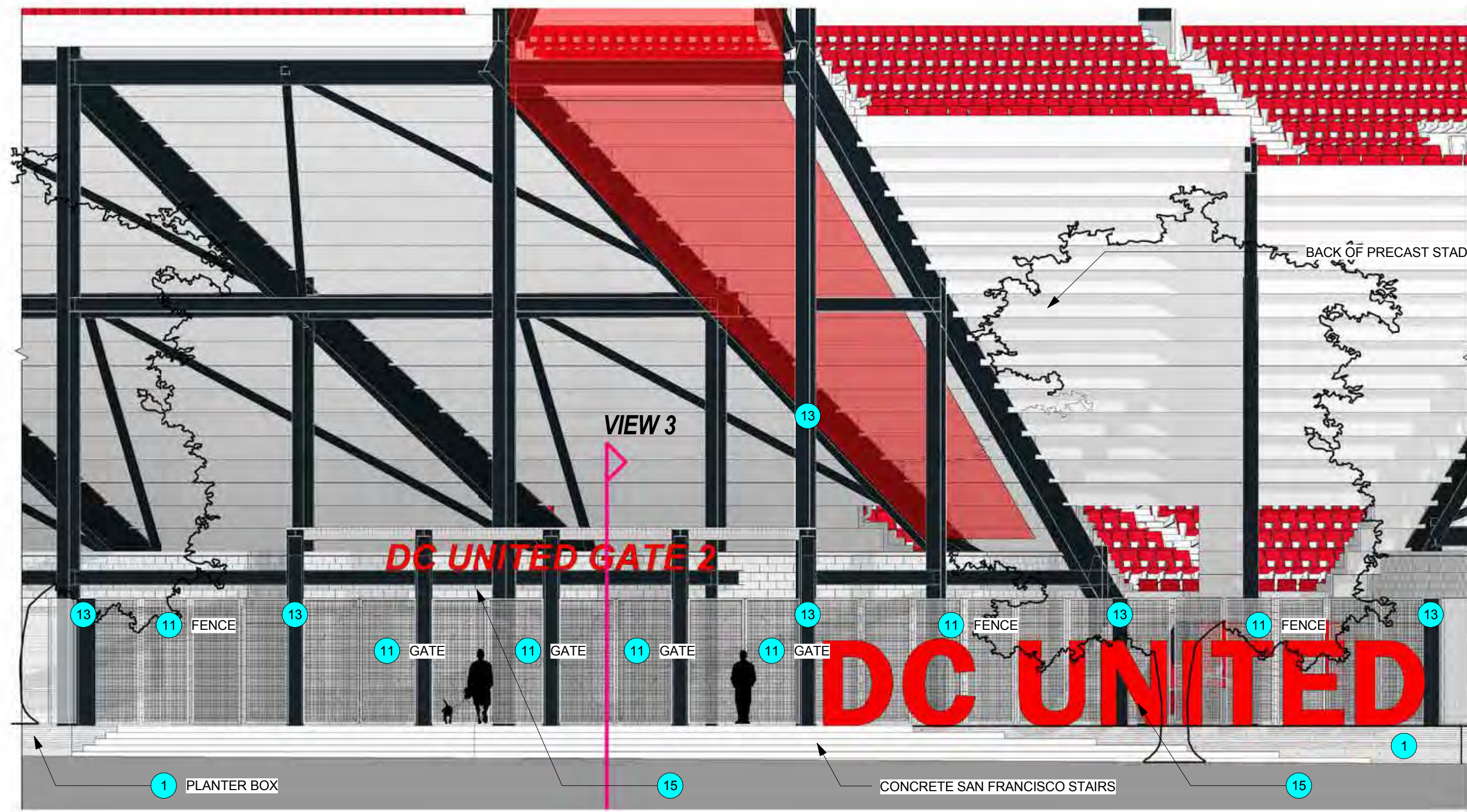


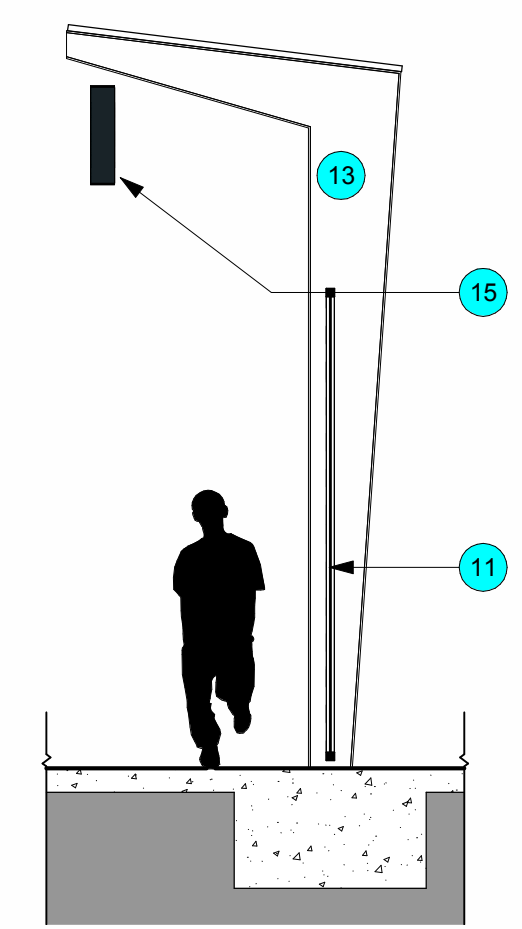
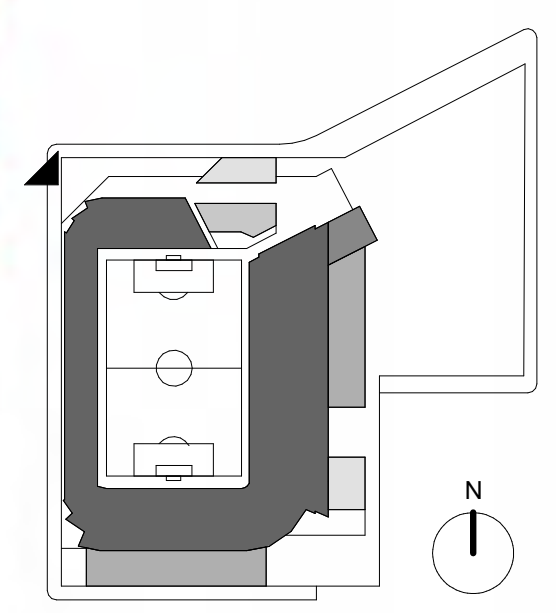


WEST SIDE RENDERING





2 CORNER OF R AND 2ND STREET GATE ELEVATION
1/8" = 1'-0"

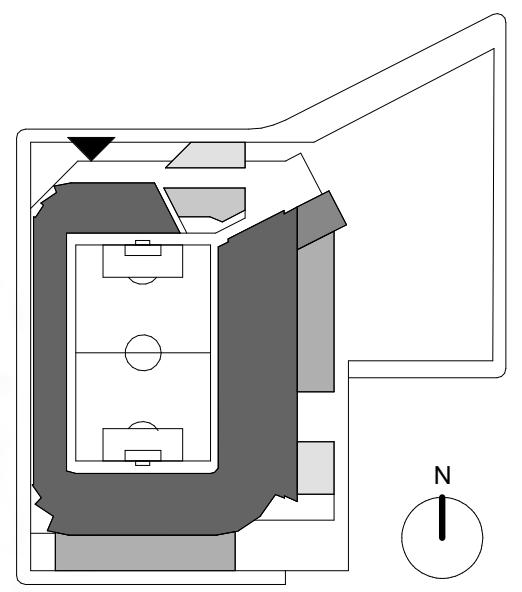


3 WALL SECTION
1/4" = 1'-0"

- 1 FORM LINER CIP CONCRETE - WOOD PLANK TEXTURE
- 2 CIP CONCRETE - SMOOTH TEXTURE EXPOSED CONE TIES
- 3 GLASS FIBER REINFORCED CONCRETE PANEL - TYPE 1
- 4 GLASS FIBER REINFORCED CONCRETE PANEL - TYPE 2
- 5 GLASS FIBER REINFORCED CONCRETE PANEL - TYPE 3
- 6 ALUMINUM STOREFRONT W / VISION GLASS
- 7 ALUMINUM CURTAIN WALL W / VISION GLASS
- 8 MP1 CORRUGATED METAL PANEL NATURAL ZINC
- 9 MP2 FLAT INTERLOCKING METAL PANEL NATURAL ZINC
- 10 MP3 CORRUGATED PERFORATED METAL PANEL NATURAL ZINC
- 11 MP4 METAL MESH FENCE @ ENTRY GATES
- 12 MP5 PERFORATED MILL ALUMINUM METAL PANEL - FENCE / SCREEN WALL
- 13 MP6 PAINTED STEEL - ENTRY CANOPY, ORIEL WINDOW DISPLAYS, FENCE POSTS, STADIUM STRUCTURAL SUPPORT, MAIN HIGH ROOF CANOPY POLYCARBONATE ROOFING
- 14 POLYCARBONATE ROOFING
- 15 SIGNAGE, BRANDING, LOGOS + SPONSOR



1 R ST ELEVATION - NORTH
1/8" = 1'-0"

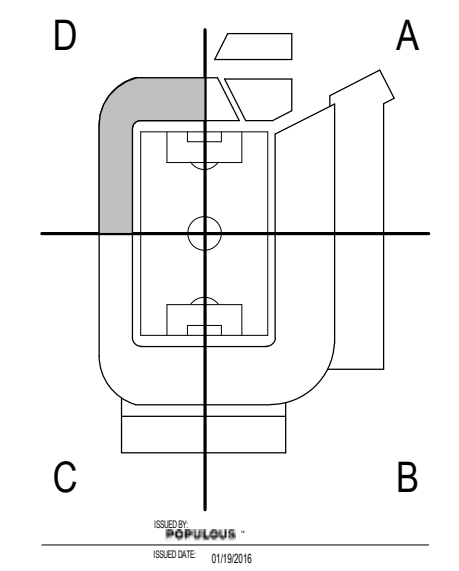


POPULOUS
Marshall Moya Design



DC UNITED SOCCER STADIUM
100 Potomac Avenue, SW
Washington, DC 20024

100% PUD SUBMISSION



AREA D - ELEVATIONS & DETAILS

1.68



SIGNAGE IS FOR ILLUSTRATION AND LOCATION IDENTIFICATION ONLY, CONTENT SUBJECT TO CHANGE



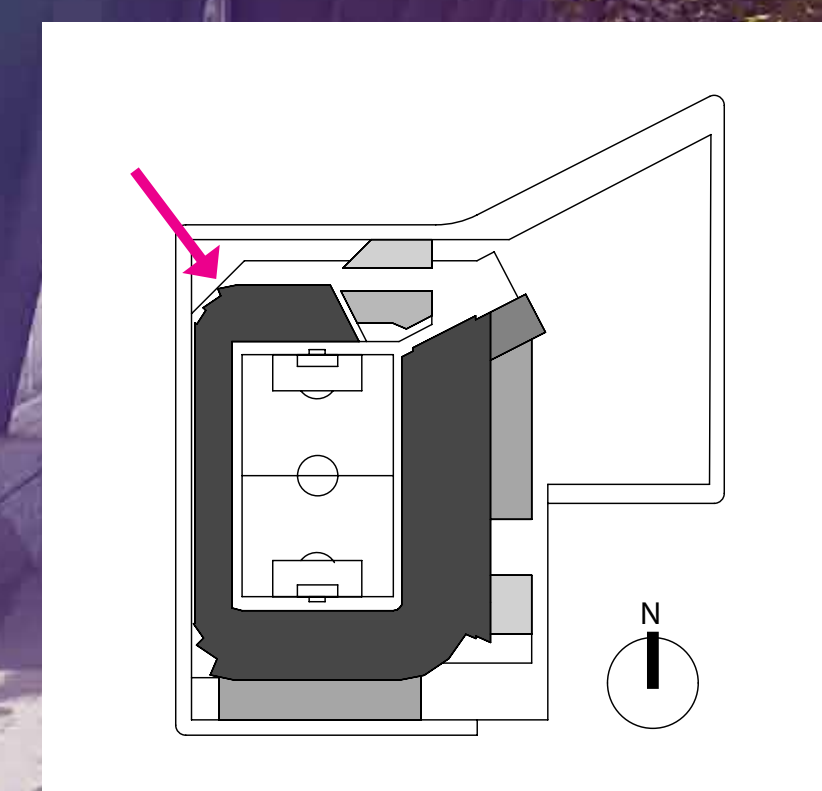
D.C. UNITED™

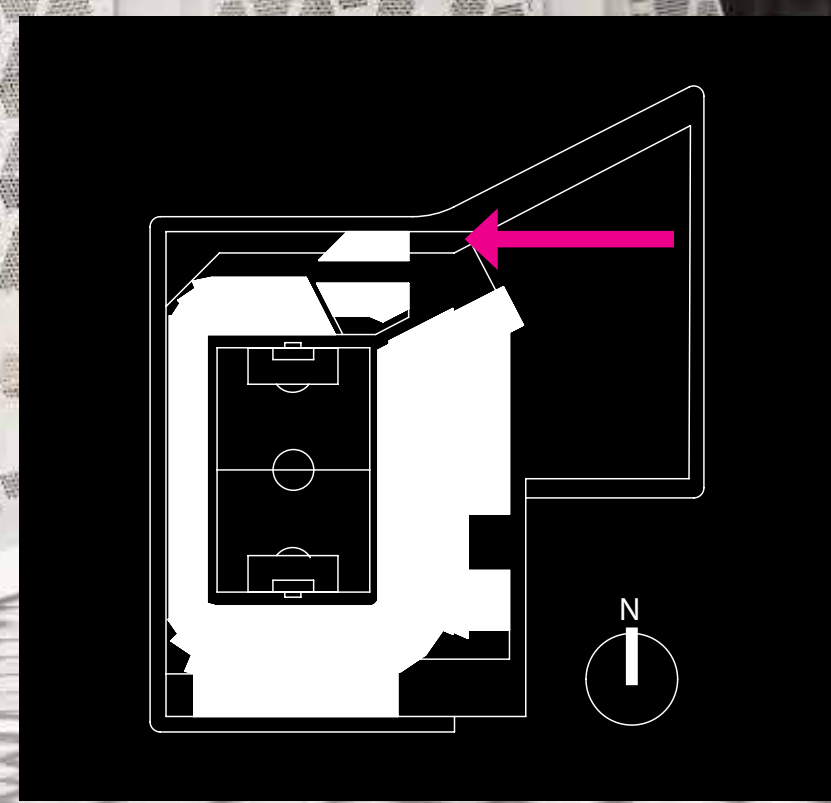
DC UNITED
STADIUM SPONSOR

DC UNITED GATE 2

D.C. UNITED

NORTH WEST GATE ENTRY RENDERING

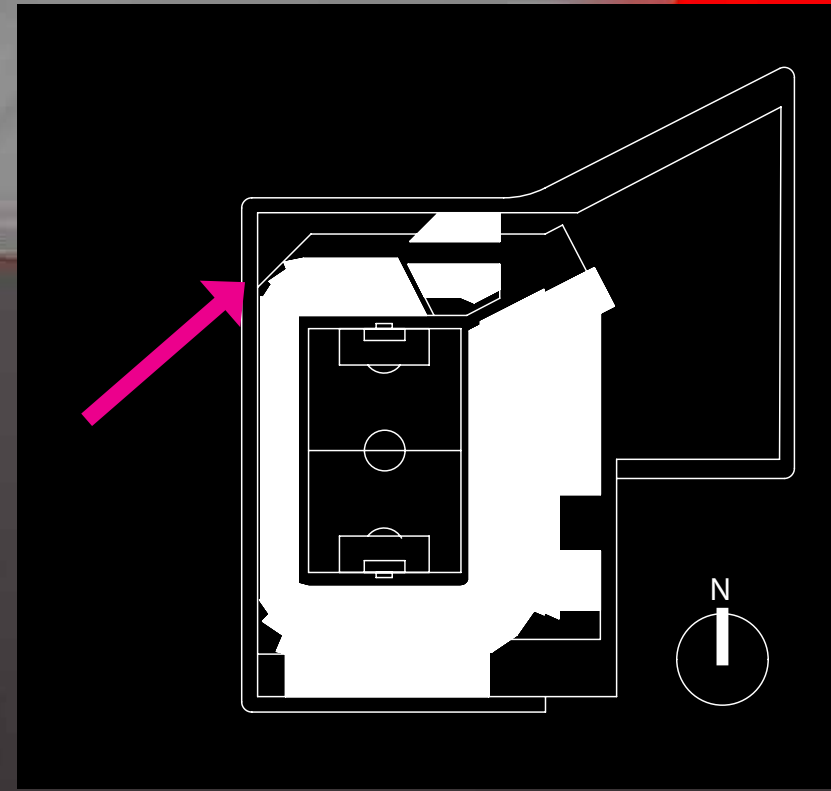


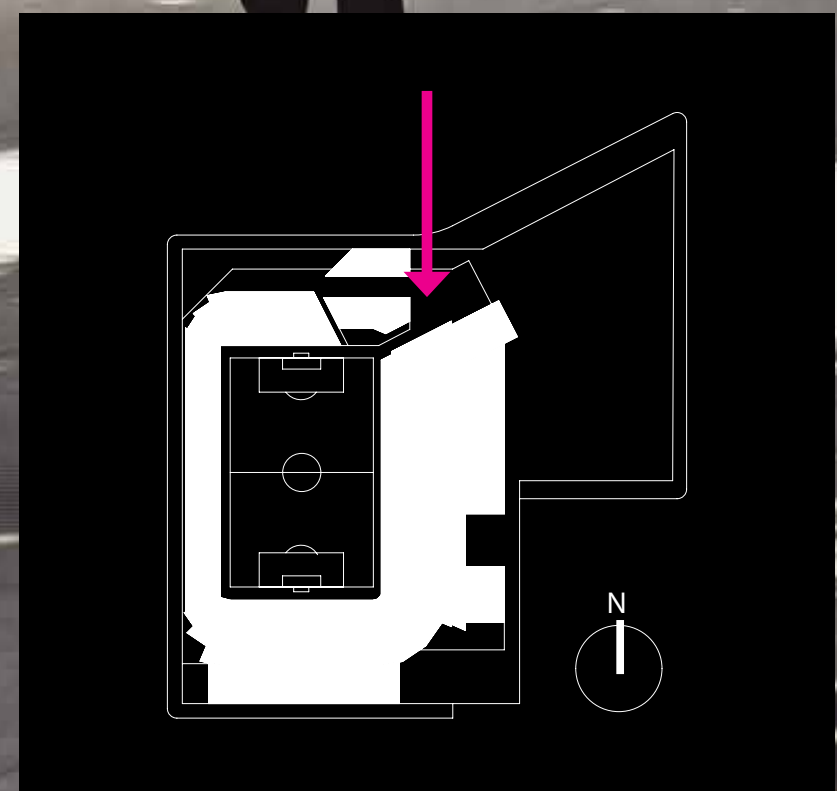


CONCOURSE RENDERING



DC UNITED TEXT RENDERING

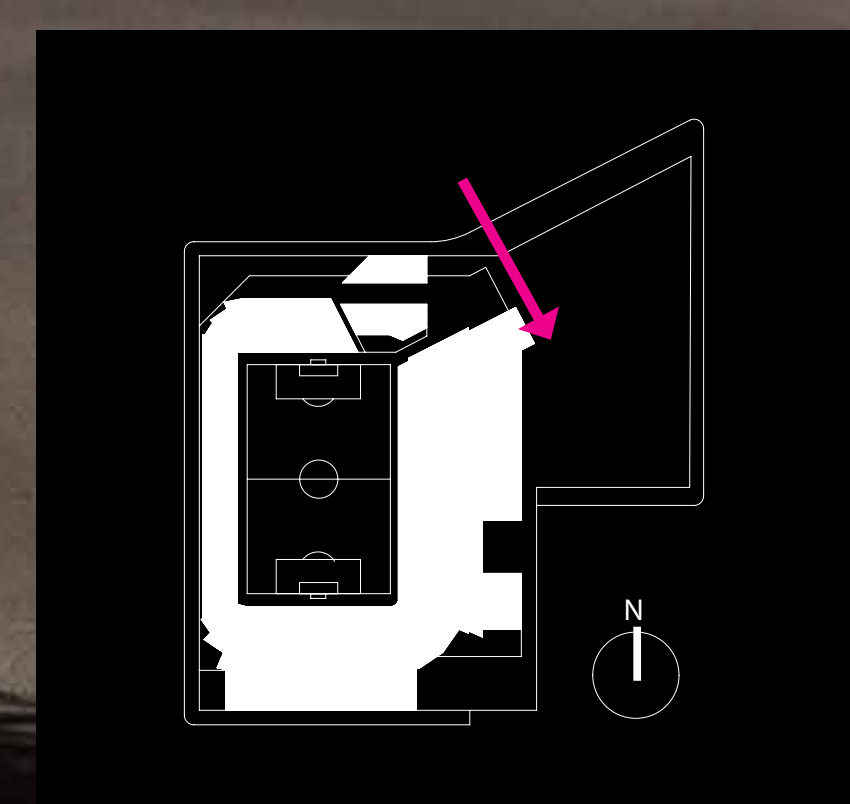




FIRST ST. VIEW CORRIDOR LOOKING SOUTH

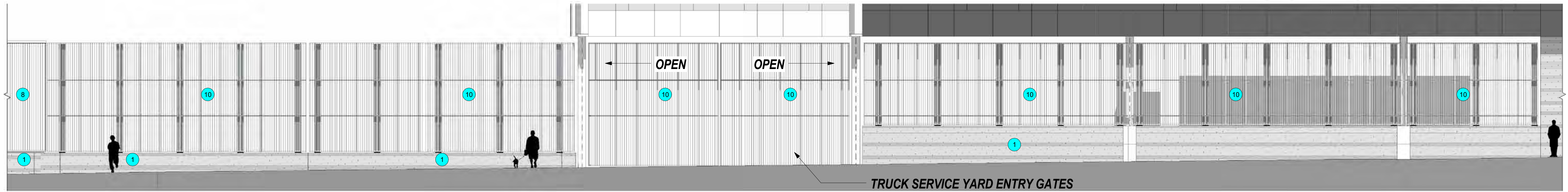


INTERSECTION POTOMAC AVE., FIRST ST. & R ST. LOOKING SOUTH





FIRST ST. CORRIDOR VIEW LOOKING NORTH

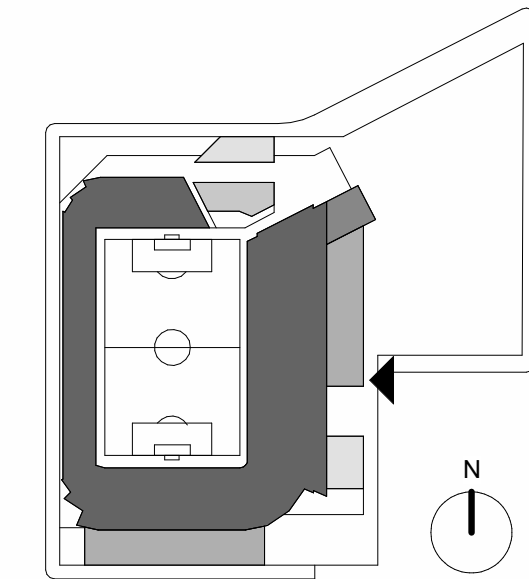


1 SOUTH OPPTS EAST ELEVATION1
1/8" = 1'-0"

EXTERIOR MATERIALS SIZES AND ORIENTATION ARE AT SCHEMATIC DESIGN LEVEL, PANEL SIZE AND ORIENTATION MAY CHANGE FOR CONSTRUCTABILITY AND PROGRESS IN DESIGN



NORTH TO SOUTH PEDESTRIAN PATH @ SERVICE YARD GATE



POPULOUS

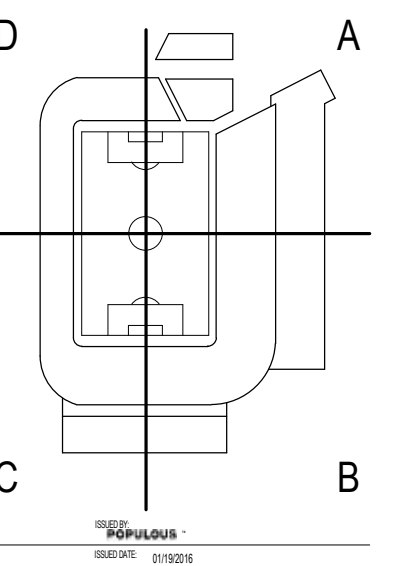
Marshall | Moya Design



DC UNITED SOCCER STADIUM

100 Potomac Avenue, SW
Washington, DC 20024

100% PUD SUBMISSION



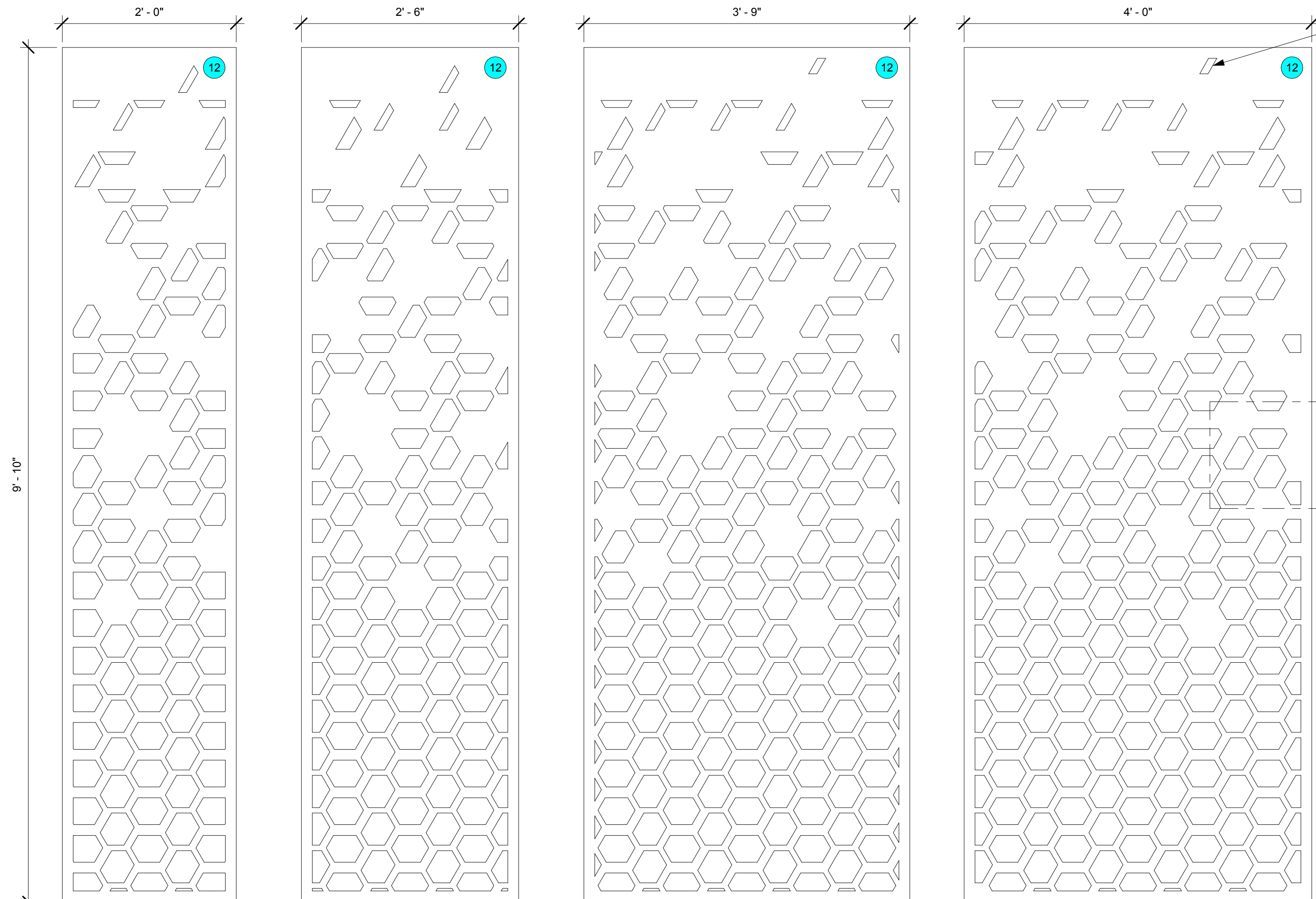
SERVICE YARD SCREEN
WALL ELEVATIONS &
DETAILS

- 1 FORM LINER CIP CONCRETE - WOOD PLANK TEXTURE
- 2 CIP CONCRETE - SMOOTH TEXTURE EXPOSED CONE TIES
- 3 GLASS FIBER REINFORCED CONCRETE PANEL - TYPE 1
- 4 GLASS FIBER REINFORCED CONCRETE PANEL - TYPE 2
- 5 GLASS FIBER REINFORCED CONCRETE PANEL - TYPE 3
- 6 ALUMINUM STOREFRONT W / VISION GLASS
- 7 ALUMINUM CURTAIN WALL W / VISION GLASS
- 8 MP1 CORRUGATED METAL PANEL NATURAL ZINC
- 9 MP2 FLAT INTERLOCKING METAL PANEL NATURAL ZINC
- 10 MP3 CORRUGATED PERFORATED METAL PANEL NATURAL ZINC
- 11 MP4 METAL MESH FENCE @ ENTRY GATES
- 12 MP5 PERFORATED MILL ALUMINUM METAL PANEL - FENCE / SCREEN WALL
- 13 MP6 PANTED STEEL - ENTRY CANOPY, ORIEL WINDOW DISPLAYS, FENCE POSTS, STADIUM STRUCTURAL SUPPORT, MAIN HIGH ROOF CANOPY
- 14 POLYCARBONATE ROOFING
- 15 SIGNAGE, BRANDING, LOGOS + SPONSOR

1.75

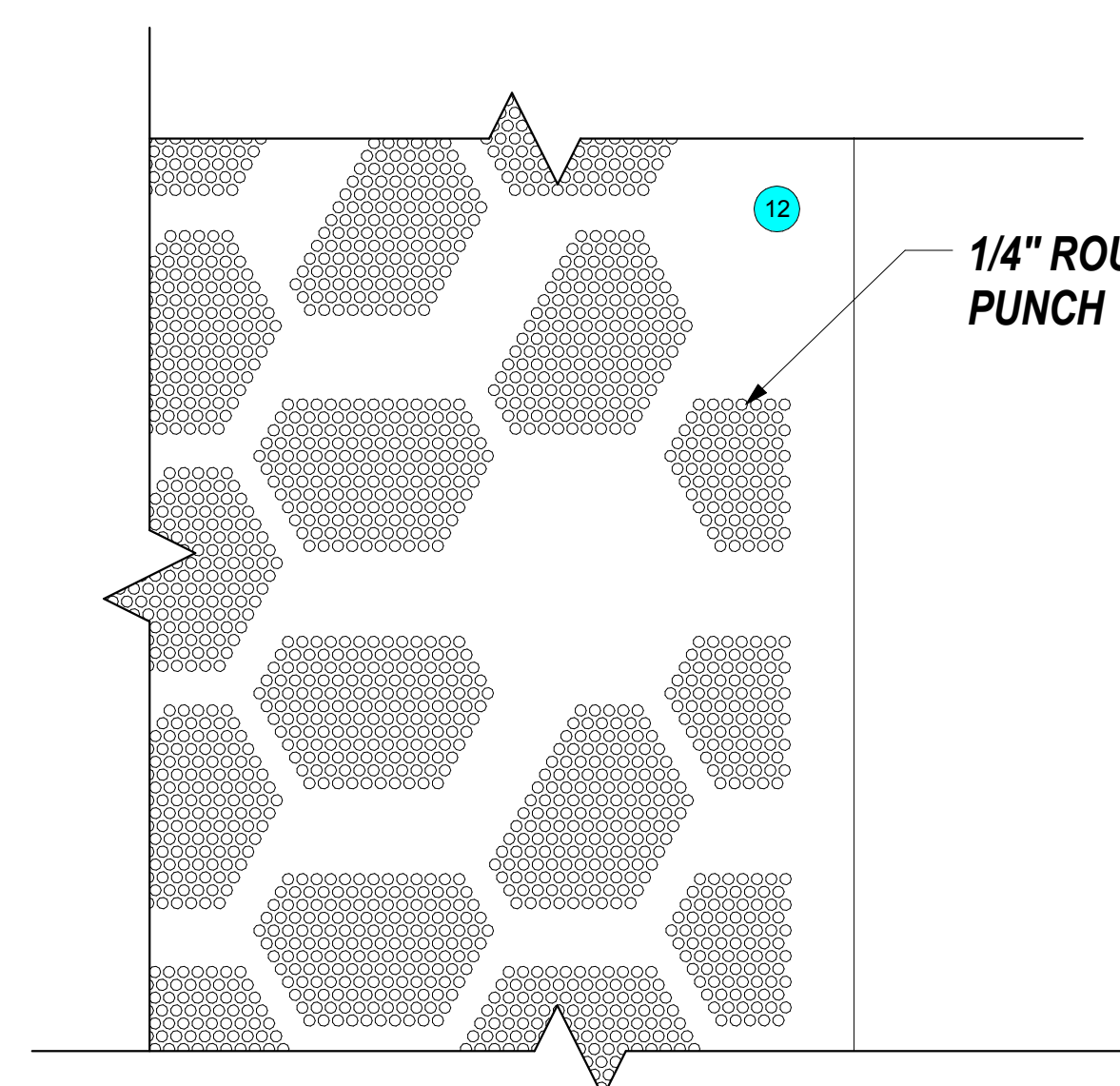


PROJECT NORTH



OVERALL PATTERN

ENLARGED DETAIL VIEW 2



1/4" ROUND HOLE PUNCH

- 1 FORM LINER CIP CONCRETE - WOOD PLANK TEXTURE
- 2 CIP CONCRETE - SMOOTH TEXTURE EXPOSED CONE TIES
- 3 GLASS FIBER REINFORCED CONCRETE PANEL - TYPE 1
- 4 GLASS FIBER REINFORCED CONCRETE PANEL - TYPE 2
- 5 GLASS FIBER REINFORCED CONCRETE PANEL - TYPE 3
- 6 ALUMINUM STOREFRONT W / VISION GLASS
- 7 ALUMINUM CURTAIN WALL W / VISION GLASS
- 8 MP1 CORRUGATED METAL PANEL NATURAL ZINC
- 9 MP2 FLAT INTERLOCKING METAL PANEL NATURAL ZINC
- 10 MP3 CORRUGATED PERFORATED METAL PANEL NATURAL ZINC
- 11 MP4 METAL MESH FENCE @ ENTRY GATES
- 12 MP5 PERFORATED MILL ALUMINUM METAL PANEL - FENCE / SCREEN WALL
- 13 MP6 PANTED STEEL - ENTRY CANOPY, ORIEL WINDOW DISPLAYS, FENCE POSTS, STADIUM STRUCTURAL SUPPORT, MAIN HIGH ROOF CANOPY
- 14 POLYCARBONATE ROOFING
- 15 SIGNAGE, BRANDING, LOGOS + SPONSOR

1 Drafting 1
1" = 1'-0"

2ND ST. INTERIOR CONCOURSE VIEW LOOKING NORTH

POPULOUS
Marshall | Moya Design



2ND ST. INTERIOR CONCOURSE VIEW LOOKING NORTH

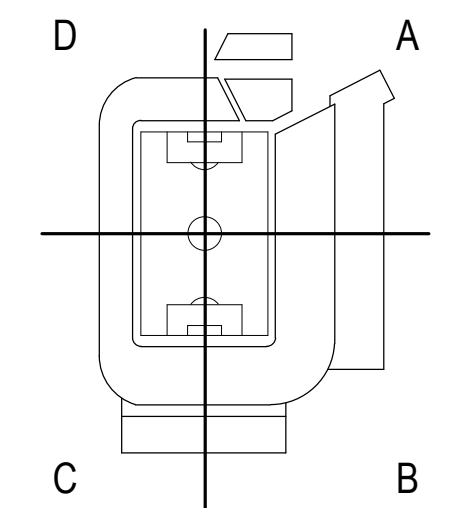


R ST. & NORTH PLAZA LOOKING EAST @ TEAM STORE

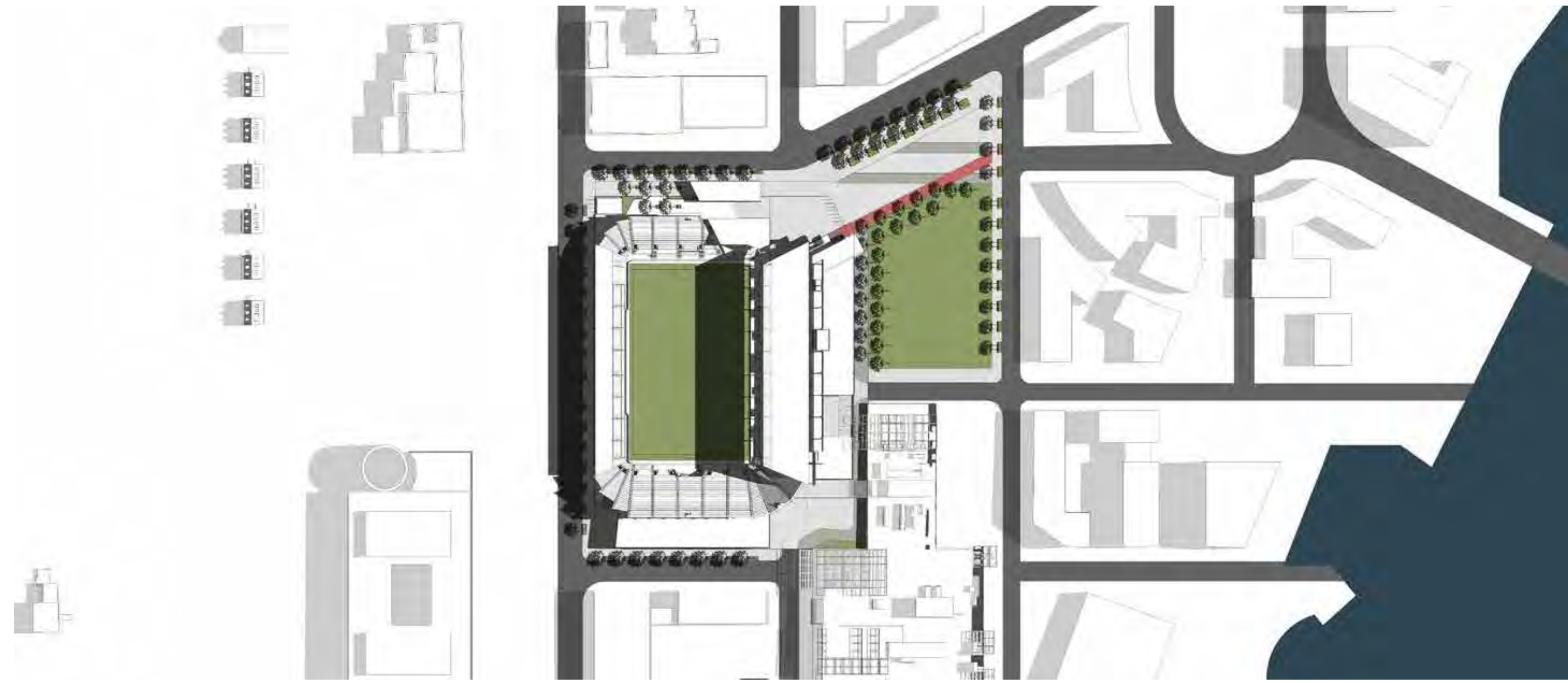


DC UNITED SOCCER STADIUM
100 Potomac Avenue, SW
Washington, DC 20024

100% PUD SUBMISSION



MISC. MURAL FENCE
ELEVATIONS & DETAILS



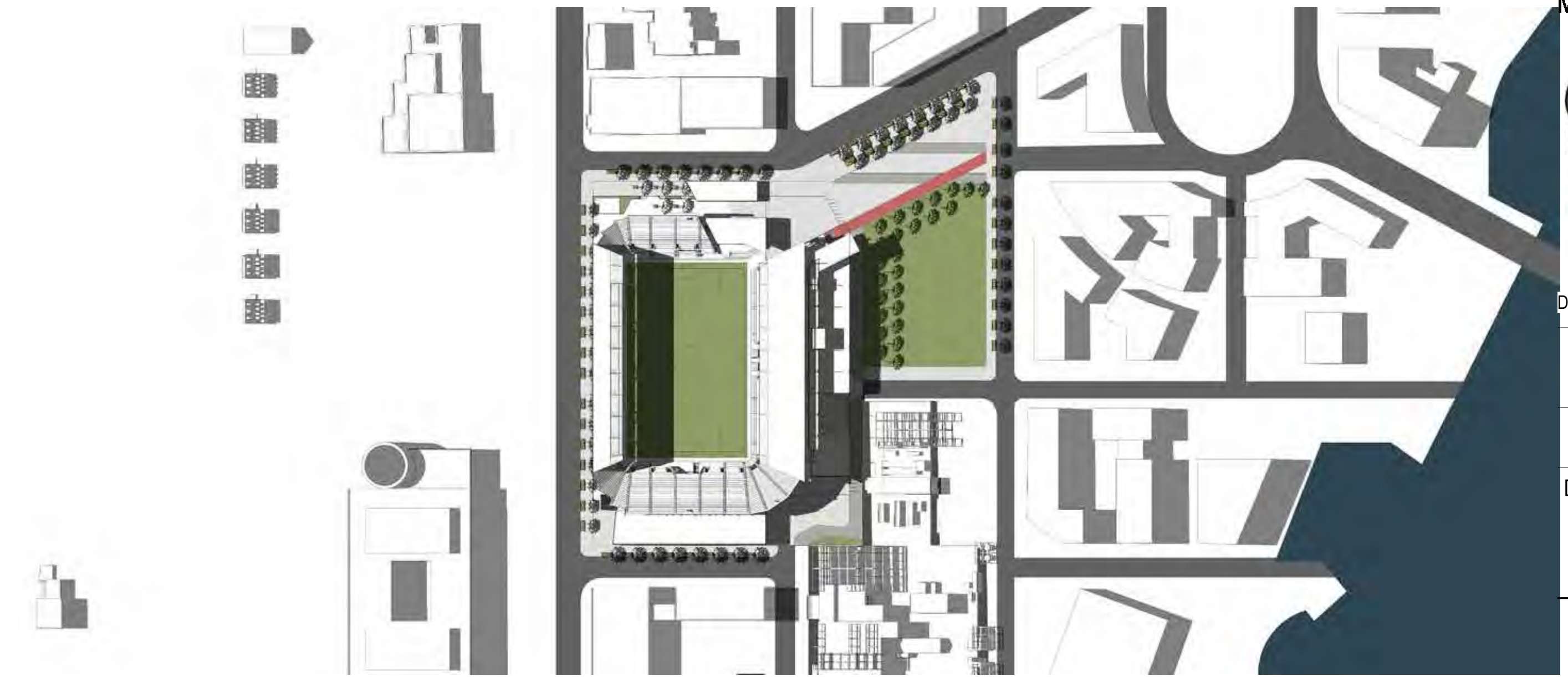
SUMMER SOLSTICE 8 A.M.



SUMMER SOLSTICE 10 A.M.



SUMMER SOLSTICE 1 P.M.



SUMMER SOLSTICE 4 P.M.

POPULOUS

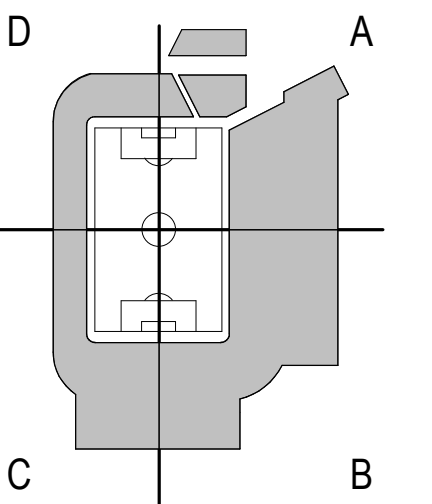
Marshall | Moya Design



DC UNITED SOCCER STADIUM

100 Potomac Avenue, SW
Washington, DC 20024

100% PUD SUBMISSION



SUN STUDIES



EQUINOX 8 A.M.



EQUINOX 10 A.M.



EQUINOX 1 P.M.



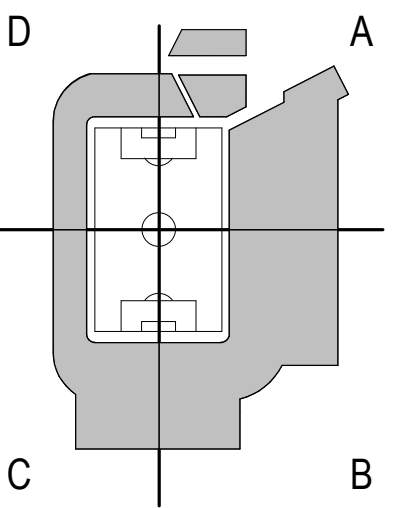
EQUINOX 4 P.M.

POPULOUS
Marshall Moya Design

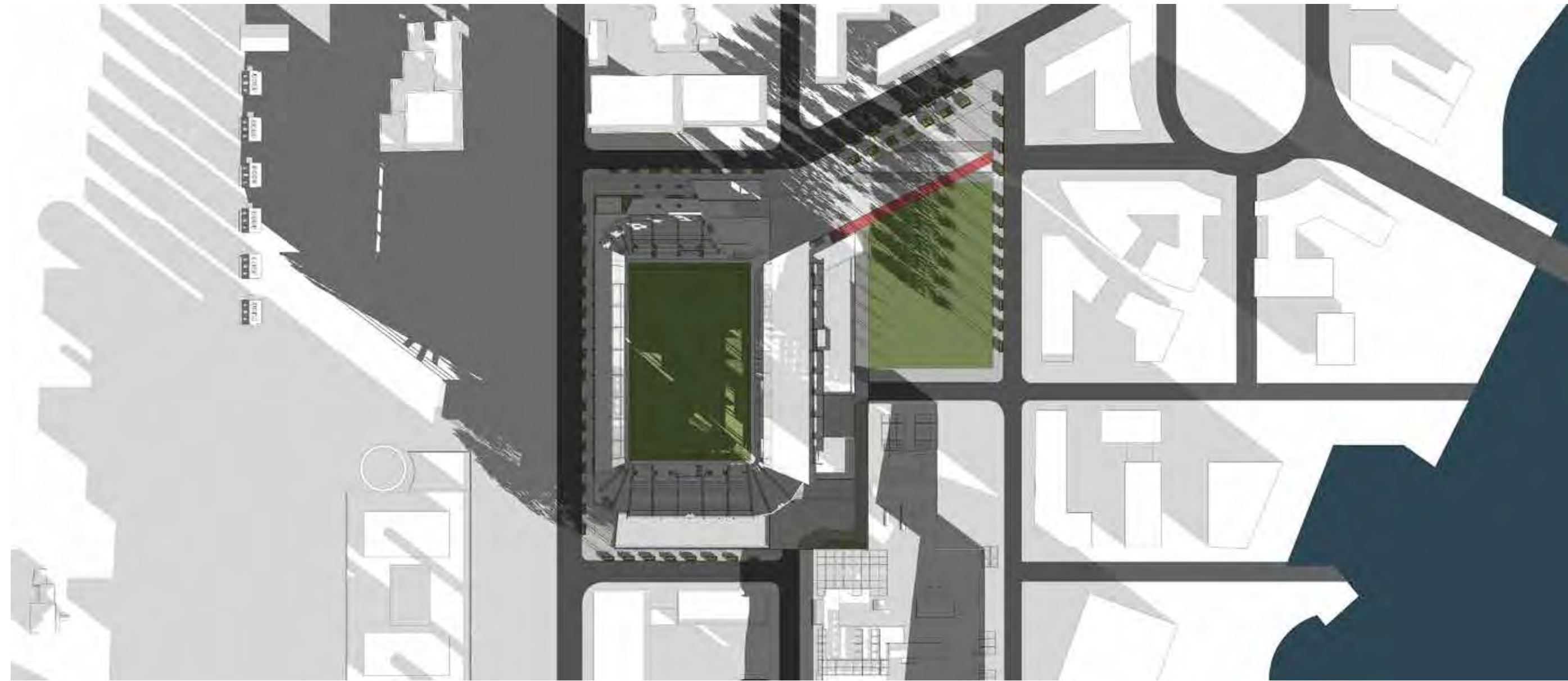


DC UNITED SOCCER STADIUM
100 Potomac Avenue, SW
Washington, DC 20024

100% PUD SUBMISSION



SUN STUDIES



WINTER SOLSTICE 8 A.M.



WINTER SOLSTICE 10 A.M.



WINTER SOLSTICE 1 P.M.



WINTER SOLSTICE 4 P.M.

POPULOUS

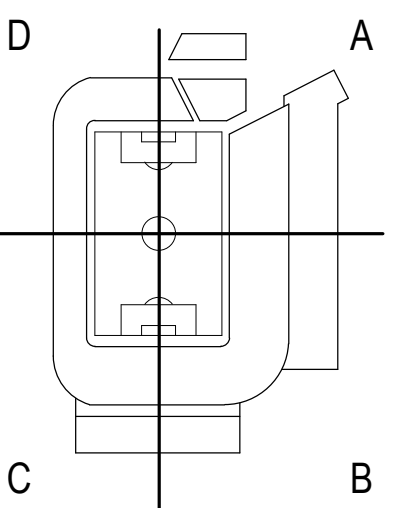
Marshall Moya Design



DC UNITED SOCCER STADIUM

100 Potomac Avenue, SW
Washington, DC 20024

100% PUD SUBMISSION



SUN STUDIES

SITE

2



NATIONALS

D.C. UNITED

ED™

D.C. UNITED